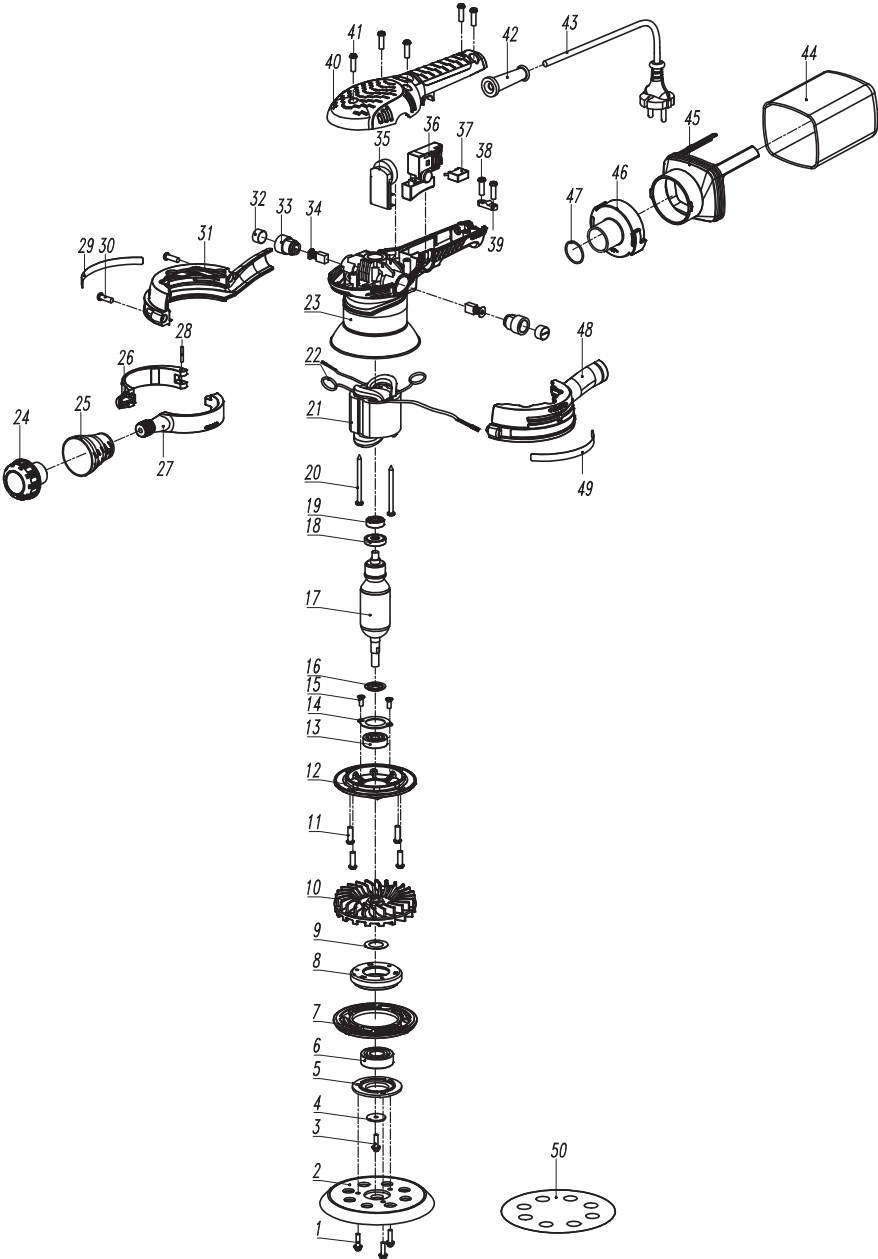


# EXPLODED VIEW



# SPARE PARTS LIST

1	screw M4×14	3
2	sand disc 123mm	1
3	screw M4×14	1
4	washer $\phi 4 \times \phi 20 \times 1.5$	1
5	bearing pressing cover	1
6	bearing 6202RS	1
7	stop ring	1
8	bearing seat	1
9	washer $\phi 15 \times \phi 25 \times 0.5$	1
10	aluminum fan	1
11	screw ST4.2×16	4
12	aluminum support	1
13	bearing 629RS	1
14	bearing pressing plate	1
15	screw M4×10	2
16	dust proof washer	1
17	rotor	1
18	dust ring	1
19	bearing 607RS	1
20	screw ST4.2×55	2
21	stator	1
22	tension spring	2
23	housing	1
24	depth adjusting knob	1
25	knob	1
26	left embrace hoop	1
27	right embrace hoop	1
28	pin $\phi 3 \times 20$	1
29	sticker	1
30	screw ST4.2×16	2
31	right cover	1
32	carbon brush holder cover	2
33	carbon brush holder	2
34	carbon brush	2
35	speed controller	1
36	switch	1
37	capacitance	1
38	screw ST4.2×14	2
39	tension disc	1
40	top cover	1
41	screw ST4.2×16	5
42	cable sleeve	1
43	cable	1
44	dust bag	1
45	dust cover	1
46	dust connector	1
47	rubber ring $\phi 15 \times \phi 1.9$	1